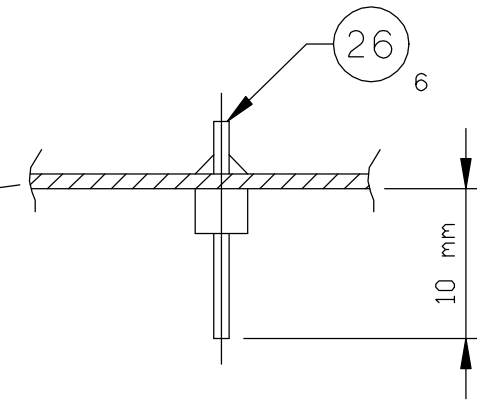
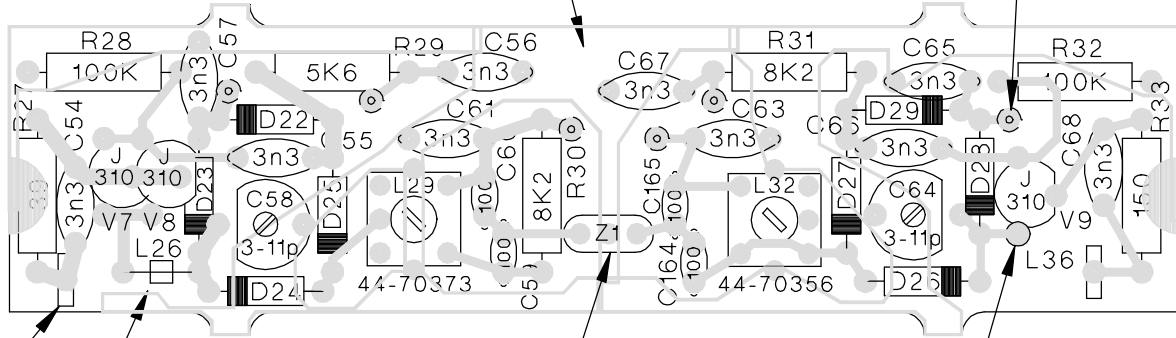


DO NOT SCALE

PCB 07-01026 ISS. 2



MOUNT 4BI BEAD
UNDERSIDE OF PCB
GLUED WITH EXPANDITE 88
ON ALL POINTS MARKED
(⊙) = 6 OFF

25
2

4BI BEAD ON
22 SWG TCW

4BI BEAD ON
LEG ON COMP
SIDE

22

SOLDER SEAMS
ON BOTH SIDES
OF SHIELDS

24

B. 21080
ISSUE 2
ITEM No'S CHANGED
RTV ADDED
C/R 21257
9-4-87 NJA
ISSUE 3
SCREW BLOCK
DELETED
C/R 21289
10-6-87 NJA
ISSUE 4
NOTE ADDED
RE-SOLDER SEAMS
C/R 21391
15-2-88 NJA
ISSUE 5
R27 WAS 150
C/R 23558
15-2-93 NJA

NOTES;

- ALL DIODES BA423
- 44-70373 - bl, rd, bl
44-70356 - bl, bk, bl
- SECURE L26 & L36 TO
PCB USING EXPANDITE 88

FILE NAME
08\03097__5.DWG

	SCALE 2:1		© CODAN PTY LTD, A.C.N. 007 590 605: 1997 TITLE	
	DRN	APJ	DATE 4-7-86	
	CHKD	NJA	18-8-86	
MATERIAL	APPD	NJA 30-10-86		DRAWING/DOC NO.
FINISH	TOLERANCES UNLESS OTHERWISE STATED		A3 08-03097	
	2 PLACES DEC. 1 PLACE DEC. 0 PLACE DEC. ANGULAR		ISS	SHT. 1 OF 1

1/ 2/ 3/ 4/ 5/ REDRAWN